

MAIN SWITCH (100A) AND T2 SPD							
	6	10	14	20		21	29
NUMBER OF USABLE WAYS	F2006MX	F2010MX	F2014MX	F2020MX		F2021MX	F2029MX
PART NUMBER WITH T2 SPD	5060523523986	5060523524013	5060523524006	5060523524013		5060523524068	5060523524082
GTIN-13							
CARTON QUANTITY	6	4	4	4		2	2
DIMENSION DRAWING	10P	14P	18P	24P		28P	36P
WEIGHT (1PC) Kg	3	4	4	5		8	8.5
DIMENSIONS (HxWxD)mm	259x234x113	259x306x113	259x378x113	259x486x113		512x306x113	512x378x113
DOUBLE BANK	N	N	N	N		Y	Y
TAIL CLAMP INCLUDED (ACCF)	Y	Y	Y	Y		Y	Y
STANDARD	EN 61439-3						
RATED VOLTAGE (Un/AC)	230V						
FREQUENCY (Hz)	50/60						
PROTECTION DEGREE (IP)	2XC						
MAXIMUM TERMINAL BAR CAPACITY	16mm ²						
TERMINAL BAR TIGHTENING TORQUE (Nm)	2.0						
DEVICE MOUNTING	35mm DIN RAIL						
MATERIAL	1mm ELECTRO GALVANISED STEEL (ZINC)						
FINISH	RAL 9001 POWDER COATED SMOOTH FINISH						
KNOCKOUTS	SELECTION 20mm - 40mm						
ACCESSORY PACK	CIRCUIT IDENTIFICATION LABELS / GROMMET STRIP						
ORIGIN OF MANUFACTURE	CHINA						

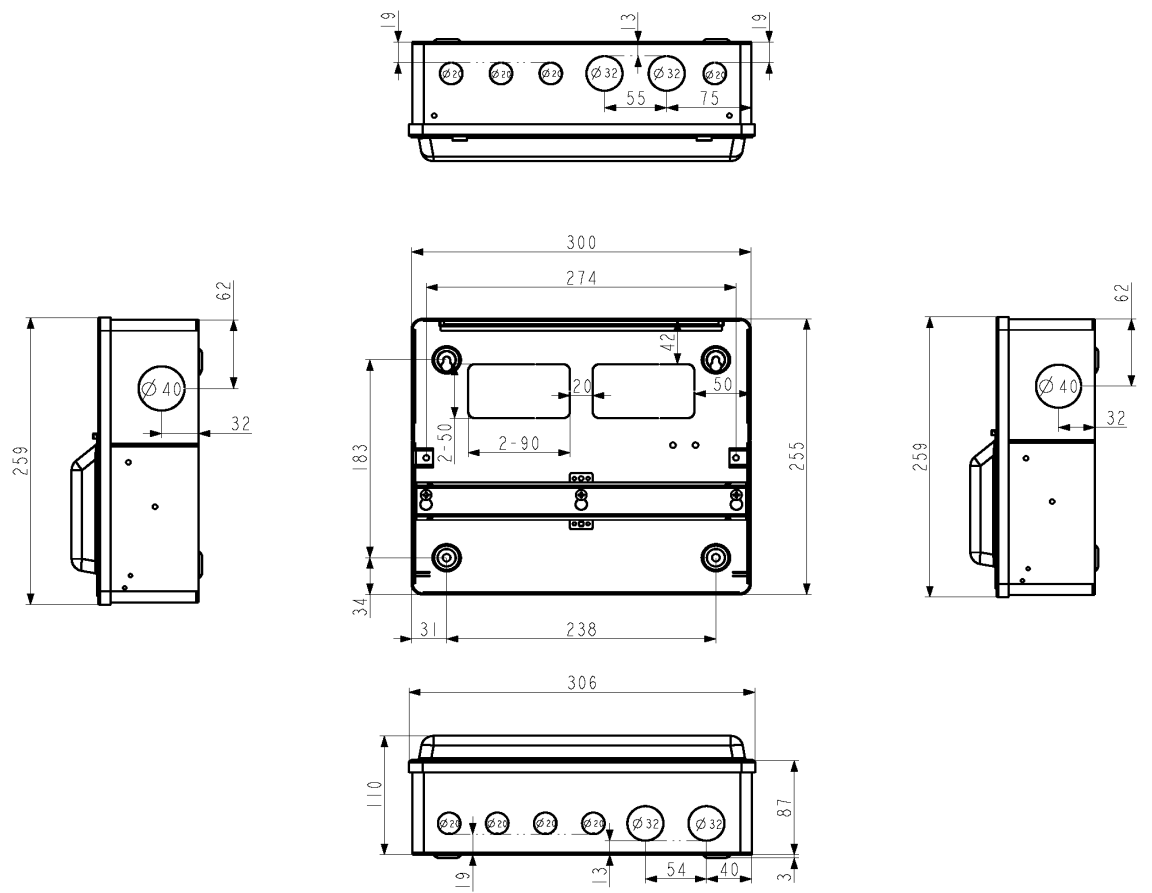
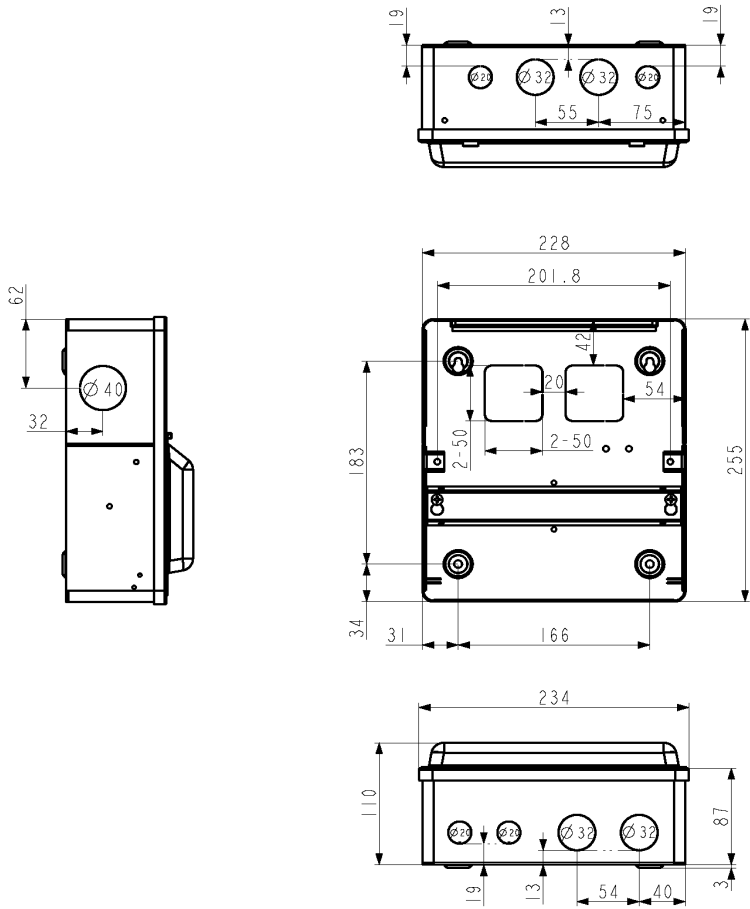


FUSEBOX 2021 F2 SERIES MAIN SWITCH CONSUMER UNIT WITH T2 SPD TECHNICAL DATA

DIMENSIONS

10P

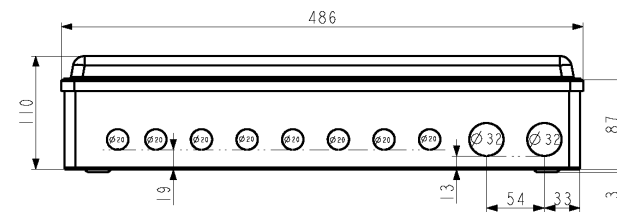
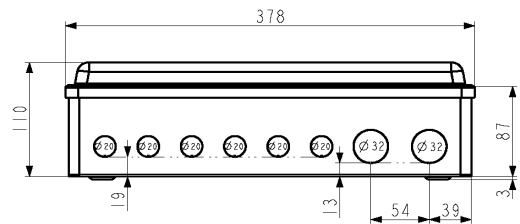
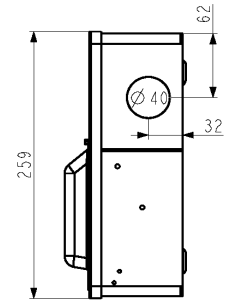
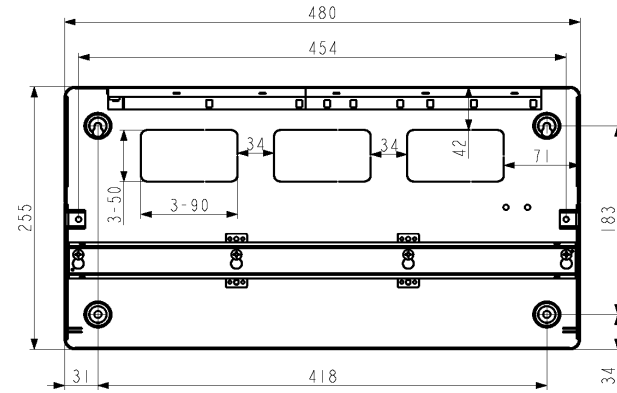
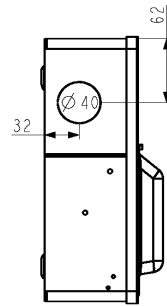
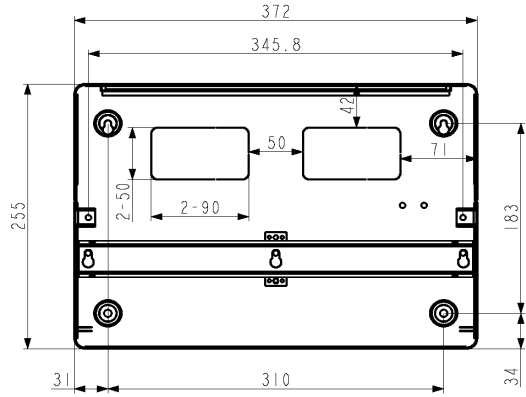
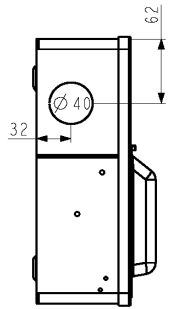
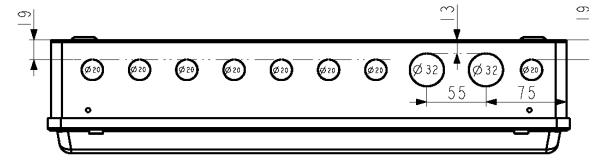
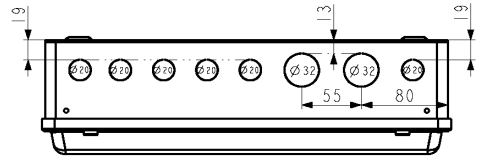
14P



FUSEBOX 2021 F2 SERIES MAIN SWITCH CONSUMER UNIT WITH T2 SPD TECHNICAL DATA

18P

24P



28P

36P

